



POS desk mount | Height Adjustable | Multi SD-POS-HA

This mounting solution is designed for POS applications, education and public space installations. It features a durable construction with a quality finish and enhanced security. While offering a high level of ergonomic and operational flexibility it can be configured to suit a variety of installation environments. Designed for flat surface mounting, SD-POS-HA can be attached from above or below with concealed screws. It includes internal cable management with multiple exit ports. In addition to offering vertical and lateral rotation adjustment, the product allows for screen rotation and universal tilt/pan adjustment. A lockable quick-release mechanism provides easy display maintenance while adjustable tension settings enable touch screen operation. An optional accessory kit provides support for a dual screen back-to-back configuration to suit high density installations.



VESA mounting hole pattern:

75x75mm

100x100mm

Also supports 200x100 via additional adaptor plate AC-AP-2010 (Sold separately)



Maximum weight carrying capacity:

20kg (44lbs)



Product key features:

- ◆ Superb security features make this mount ideal for point of sale or any other public space environment
- ◆ Suitable for touch screens
- ◆ Height adjustable to suit multi-user environment
- ◆ Can be upgraded to a back-to-back dual monitor configuration
- ◆ Durable steel and aluminium construction
- ◆ Advanced cable management
- ◆ Comes with all mounting hardware



Atdec Global www.atdec.com.au
Atdec North America www.atdec.com

Product information

Product Code	Load capacity	Material	Colour
SD-POS-HA	20kg (44lbs) per display	Steel/Aluminium	Black

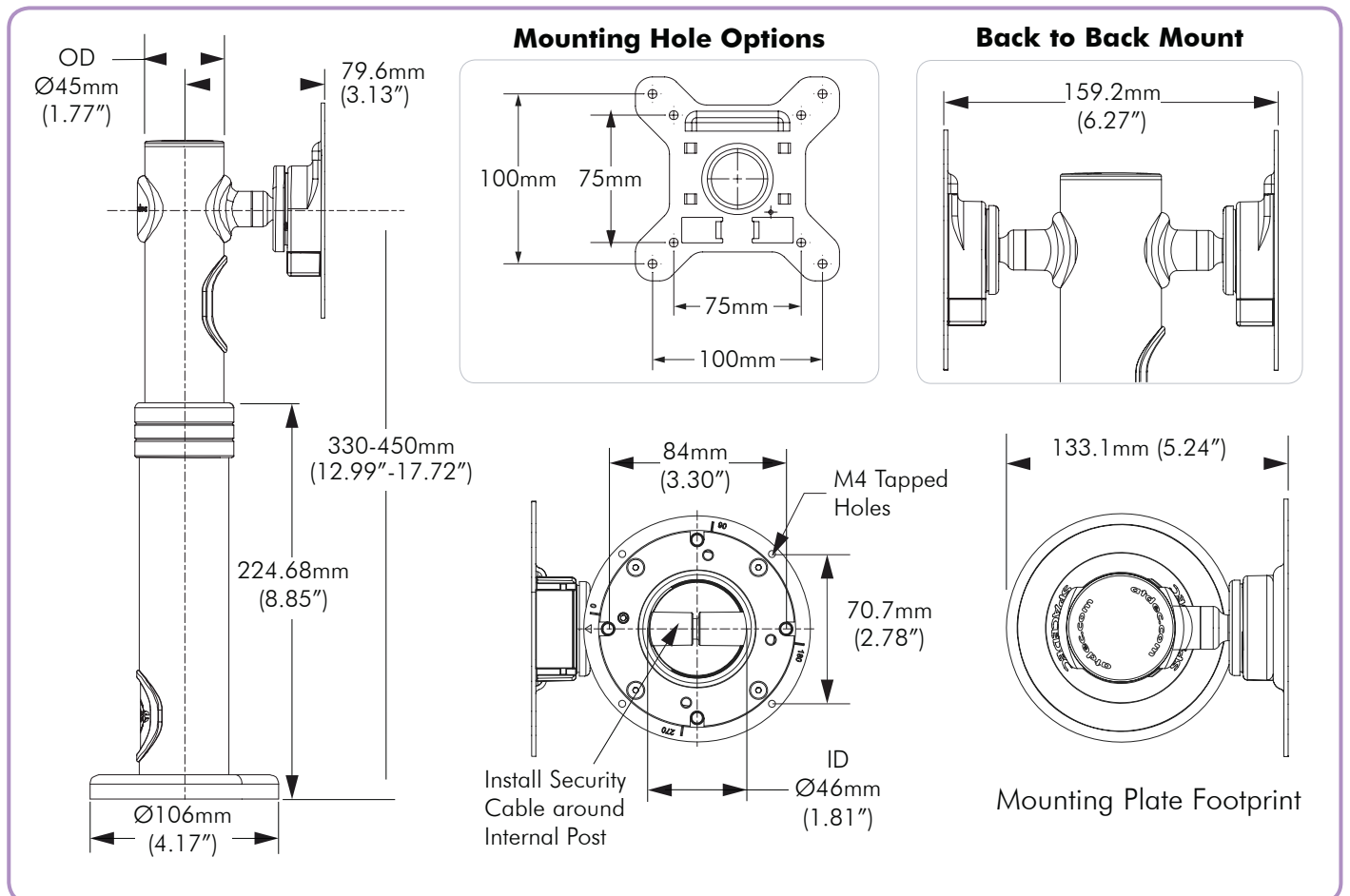
Package information, single unit

Size	Ship weight	UPC code	Contents
42cm x 20cm x 12cm (16.5" x 7.75" x 4.75")	2.1kg (4.6lbs)	881493005907	All hardware required for installation supplied

Package information, master pack

Size	Ship weight	UPC code	Units per master pack
100cm x 44cm x 26cm (40" x 18" x 10.75")	21.3kg (46.8lbs)	881493005914	10

Technical drawings



Atdec mounts are designed, developed and tested in Australia. While all efforts have been made to ensure the information in this brochure was correct as of the date of printing, we reserve the right to change specifications without notice. Please refer to the website for our full range along with the latest details on specifications, compatibility and dealer location. Atdec and Spacedec are registered trademarks with all rights reserved. Copyright February 2013.



Atdec Global www.atdec.com.au
Atdec North America www.atdec.com